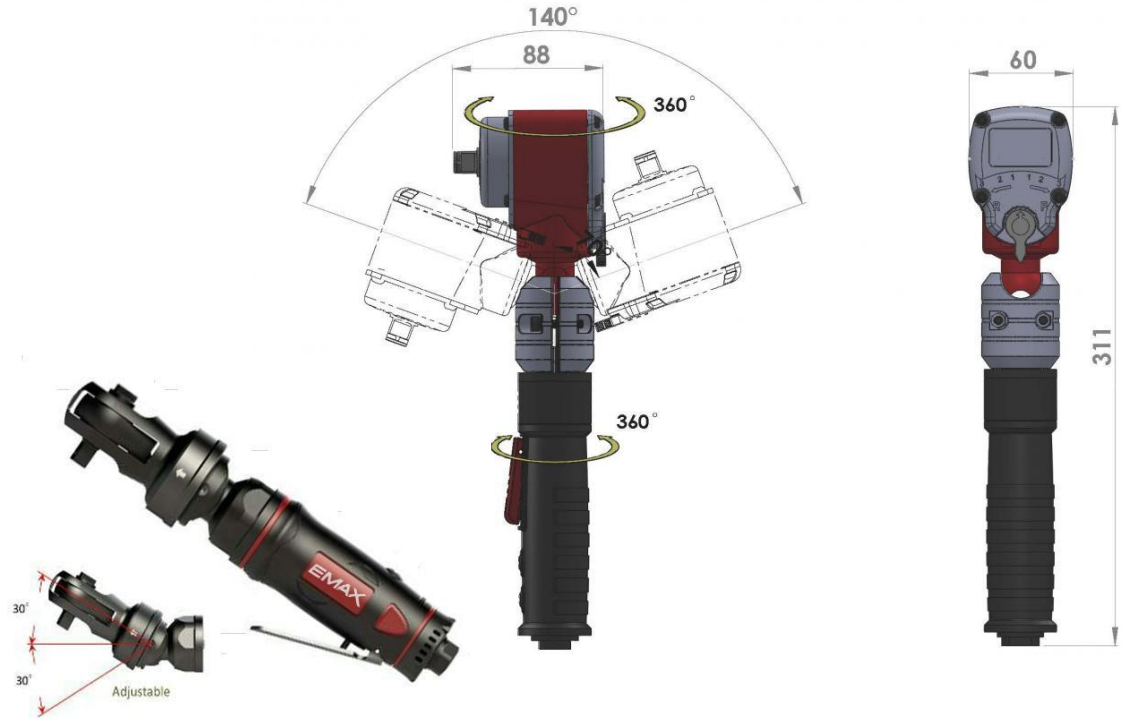
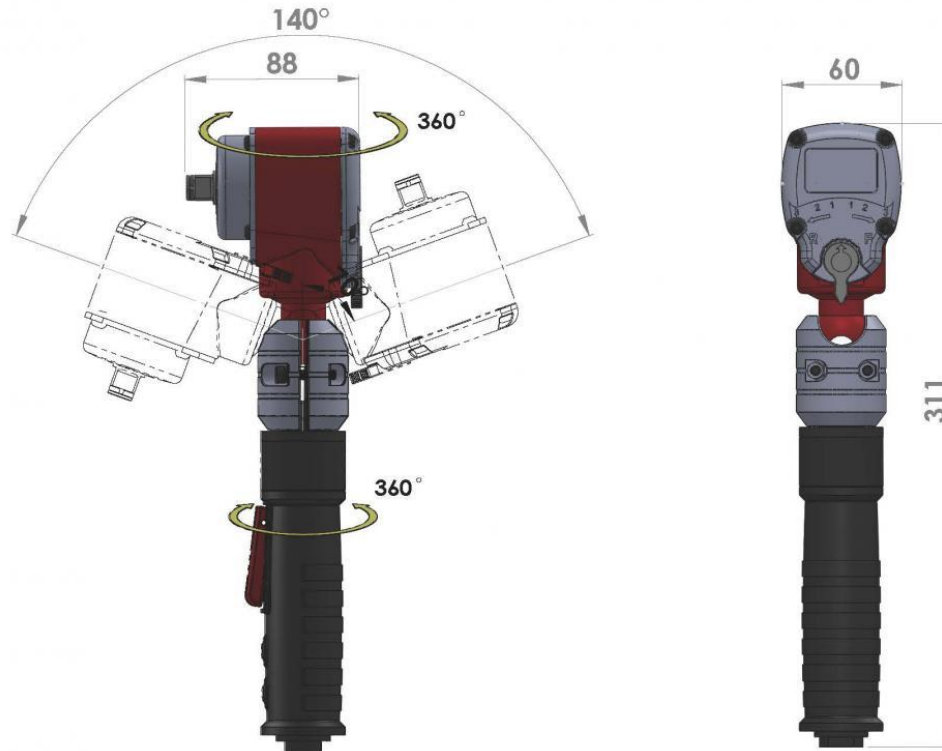


“Over 25 years experience  
designing & Providing  
industrial power products ”

Taichung Taiwan





## Speed Controllable Trigger

Ensure the Anvil working steadily, prevent bolts from damage.

## Aluminum Housing

Aluminum housing gives the Hammer & Motor a very rugged & robust protection.

## Socket Kit

Options in Mini, Regular & Longer size.

## Cold Insulated Handle

Plastic & ergonomic design for lightweight, anti-slip, better grip and no sweat on handle operation.

## Low Sound Level

Hidden muffler can greatly decrease working noise.

## Angle Regulator

The angle of motor housing can be adjusted or fixed by the regulator as required.



## 140 Degree 360 Swivel Degree Angle impact Wrench

### Application

Mainly aim for working in confined space with obstacles, like gearbox, engine, transmission, farming cultivator and so on.

Item No. : AT-4337SR  
1/2" ANGLE IMPACT WRENCH  
JUMBO HAMMER  
AIR PRESSURE:90PSI  
SQUARE DRIVE:1/2"  
MAX TORQUE: 610NM(450FT-LB)  
FREE SPEED:8000 RPM  
AVG AIR CONSUMPTION:8CFM /210L  
MIN HOSE SIZE:3/8"  
LENGTH:31CM  
WEIGHT:1.4KG  
AIR INLET:1/4"  
120 DEGREE BEND OVER MOTOR HOUSING  
360 DEGREE SWIVAL





## 1/2" PALM LIGHT WEIGHT 360 DEGREE IMPACT WRENCH



### ***Extremely Mini and Lightweight, Usable However You Want***

1. Twin hammer mechanism. Ultra short length 80mm only
2. 3 Speed controllable Lever
3. Low Vibration
4. Mainly aim for working any space, like gearbox, engine bays, transmission, under wheel arches, around brake calipers or on fixed assembly lines farming cultivator and so on.
5. One-hand operation for right-and left-handed users.



## 1/2" PALM IMPACT WRENCH

Item No. : AT-5324  
1/2" MICRO MINI LIGHT WEIGHT I  
360 DEGREE IMPACT WRENCH  
SQUARE DRIVE:1/2"  
Handle Type:Pistol  
Clutch type:Jumbo Hammer  
Motor Housing:Die Casted Aluminum  
Air Exhaust:handle exhaust  
Air Inlet Thread:1/4"NPT-18;1/4"PT-19  
Vibration:3.5M/S2  
Bolt Capability:12MM  
2 sec forward Torque:260ft.lb  
5 sec forward Torque:350ft.lb  
MAX Torque 8 sec:400ft.lb /610NM  
Weight:1.1KG  
Length:88MM  
FREE SPEED:8500 RPM  
NOISE LEVEL:90DB  
AVG AIR CONSUMPTION:5.6 CFM  
Hose Size:3/8"  
ANTI VIBRATION SYSTEM  
360 Degree from EACH Side





## 1/2" DR. ADJUSTABLE AIR RATCHET WRENCH



- Adjustable angle , 30 degree angle change.
- Prevent Deformation design, Reduce structural fatigue and maintain high torque output.
- Housing is clad with injection rubber, More comfortable grip.
- Motor five-blade design - higher torque output.
- Rear 360 adjustable side exhaust
- Applicable in the general industrial use, general maintenance.



# 1/2" DR. ADJUSTABLE AIR RATCHET WRENCH

Item No. : AT-4023A  
1/2" DR. ADJUSTABLE AIR  
RATCHET WRENCH  
MAX TORQUE: 70Ft-lb (95Nm)  
FREE SPEED: 150RPM  
AVG. AIR CONS.: 4.9CFM (139L/min)  
OVERALL LENGTH: 275MM  
NET WEIGHT: 1.45KGS  
30DEGREE SWIVAL UP AND DOWN ANGLE





# 19PCS 1/2"DR. TWIST IMPACT SOCKET KIT



Item No. : PHS19BK

Cust\_Item\_No.: MOQ:100

19PCS 1/2"DR. TWIST  
IMPACT SOCKET KIT

SIZE: 10. 11. 12. 13. 14. 15. 16. 17. 19. 21. 24MM

MATERIAL: SCM440 (CR-MO)

EXTENSION BAR 250MM, 125MM, 75MM

PIN Ø3\*20MM, PIN Ø3\*25MM

ORING Ø19m, ORING Ø24M

3/8" \* 1/2" ADAPTOR (CR-V)

STEEL BOX





## 1/2"DR 11PCS CRMO SOCKET KIT

Item No. : 412-DCK  
Cust\_Item\_No.: MOQ:50  
1/2"DR 11PCS CRMO SOCKET KIT  
WITH 2 EXTENSION BAR  
SOCKET : 10 12 13 14 15 16 17 19 21MM  
EXTENSION BAR: 2" AND 3"





## PNEUMATIC INJECTOR PULLOUT TOOL

Item No. : AT-7823K  
Cust\_Item\_No.: MOQ:4  
PNEUMATIC INJECTOR PULLOUT  
TOOL  
BLOW PER MIN: 0-750 B.P.M  
SHANK SIZE:M14  
AIR CONS: 23 CFM  
AIR PRESSURE:90 PSI  
AIR INLET: 1/4"  
LENGTH:179MM  
WEIGHT: 2.85KG

